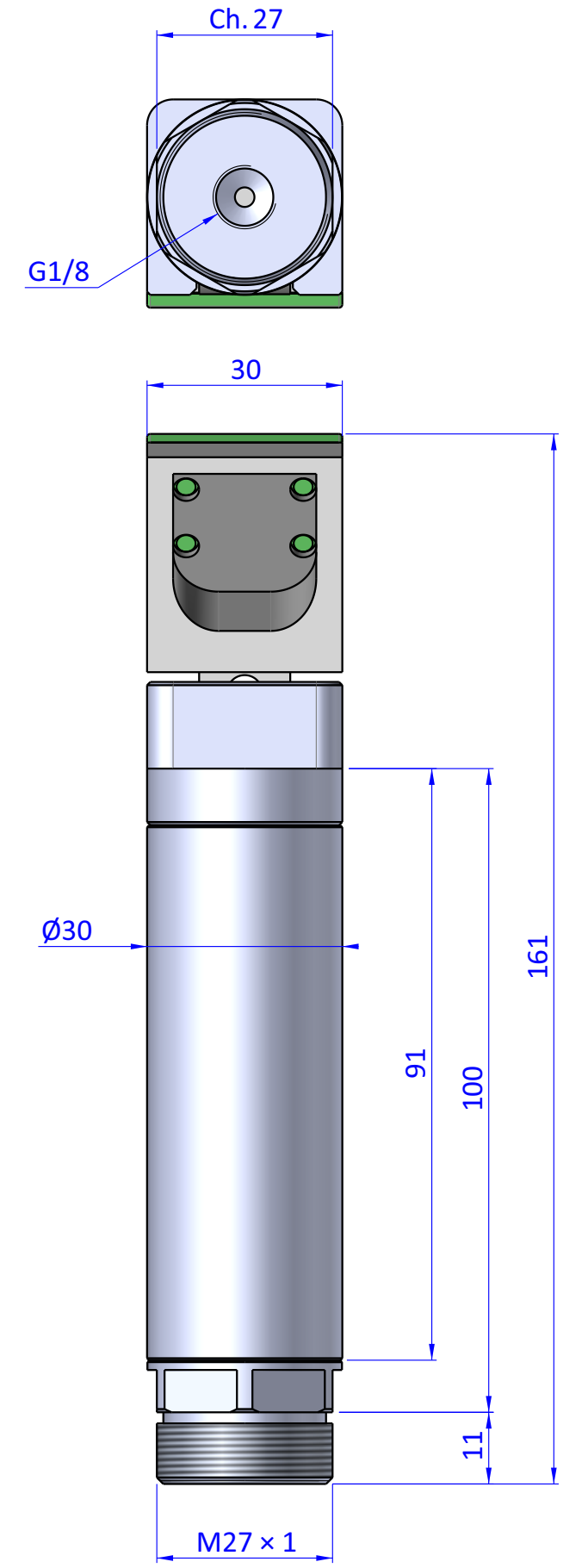
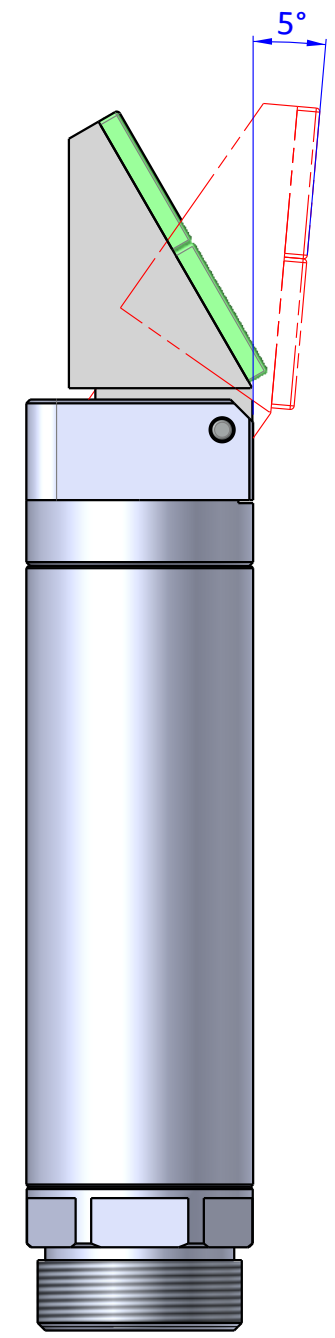
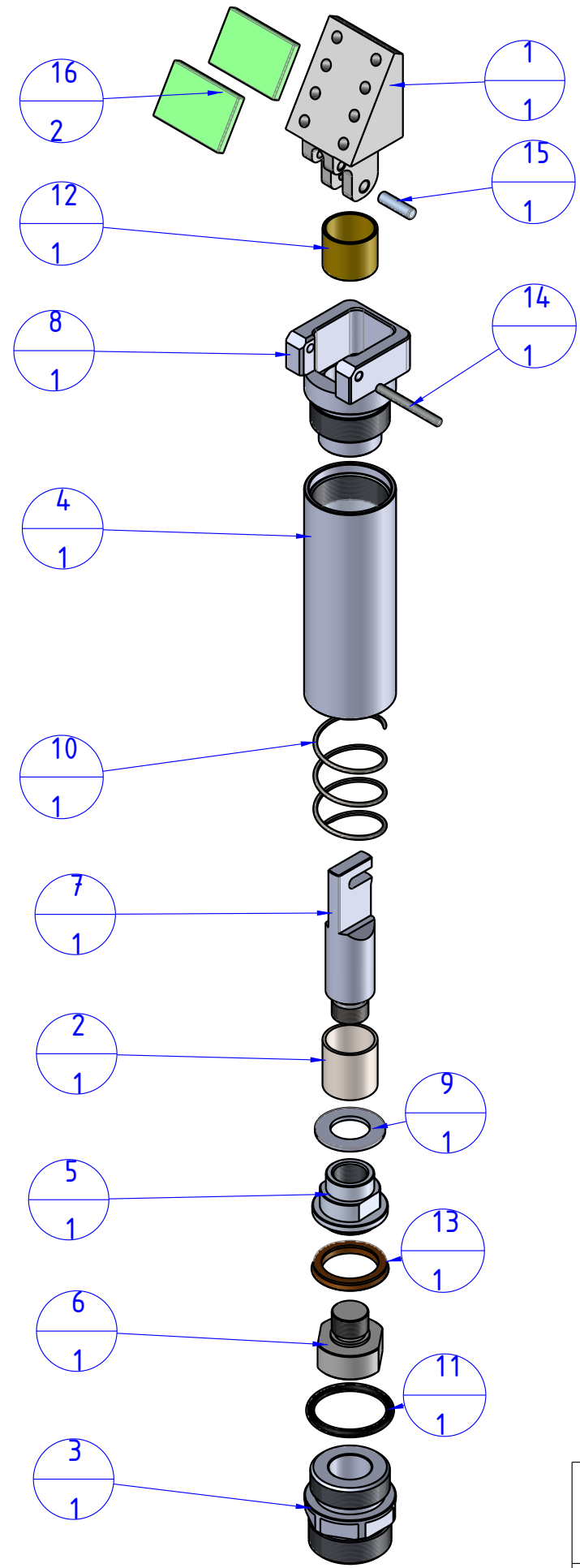



THE PROPERTY OF THE DRAWING IS ESTABLISHED BY LAW. IT IS FORBIDDEN TO PRODUCE OR SHOW IT TO THIRD PART - WITHOUT A WRITTEN AGREEMENT.

Item	Name	Q.ty
1	GRF30.25.09	1
2	GRF30.35.08	1
3	GRF30.95.01	1
4	GRF30.95.02	1
5	GRF30.95.03	1
6	GRF30.95.03.2	1
7	GRF30.95.04	1
8	GRF30.95.05	1
9	GRF30.95.10	1
10	M.24X66	1
11	OR.119	1
12	PAP.161815	1
13	PSP.251935	1
14	SP.3X28M6	1
15	SP.4X14M6	1
16	GRF30.95.08.V	2



Format A3  
UNI 936-76

 <b>FPS</b> FPSERVICES AUTOMATION		DESIGNED FROM		REVIEW
		FPS Automation		A
GENERAL TOLERANCE		DATE	WEIGHT	
UNI - ISO 2768		22/11/2022	0,261kg	
CLASSE f		CODE		
		CA.GRF.3035		CA.GRF.3025.G